



is now



indie Semiconductor FFO GmbH

To learn more about indie Semiconductor, please visit our website at
www.indiesemi.com

For customer support, please contact us at: dfo.support@indiesemi.com

indie and the indie logo are trademarks of Ay Dee Kay LLC dba indie Semiconductor in the United States and in other countries. Silicon Radar GmbH was acquired by indie Semiconductor and is now indie Semiconductor FFO GmbH. Purchase of products is governed by indie Semiconductor FFO GmbH's Terms and Conditions.

Support / Wiki:

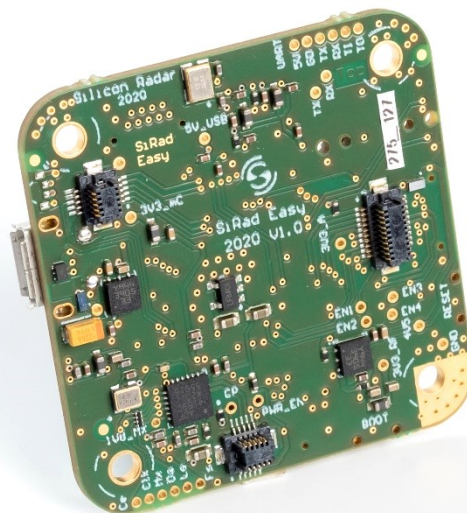


Silicon Radar GmbH
 Im Technologiepark 1
 15236 Frankfurt (Oder)
 Germany

tel: +49 335 / 228 80 30
 fax: +49 335 / 557 10 50
 info@siliconradar.com
 www.siliconradar.com

Product Sheet

SiRad Easy r4 Base Board*



*Available as SiRad_Easy_r4_Base_Board+ (including Micro-B to Type-A USB cable).

Status: Release	Date: 22-Mar-2021	Author: Silicon Radar GmbH	Filename: Product_Sheet_SiRad_Easy_r4_Base_Board	
Version: 1.1	Document number: -	Package: -	Marking: -	Page: 1 of 6

Version Control

Version	Changed section	Description of change	Reason for change
1.0	all		Initial document
1.1	1, 2	Few changes	Minor corrections

Table of Contents

1	Overview	3
1.1	Hardware.....	3
1.2	Software.....	3
1.3	System Compatibility	3
2	Specifications	4
3	Mechanical Drawing.....	4
4	Pinout Description.....	5
5	Modular System	5

1 Overview

1.1 Hardware

- ARM Cortex-M7 microcontroller
- Pluggable front end boards from 24 GHz up to 300 GHz
- 40 mm x 40 mm PCB with 4 x M2.5 screw holes (pluggable front ends may be bigger)
- Power and data over micro-B USB to virtual COM port on PC
- UART over optional 1.27 mm pitch standard pin header
- 3 x RFE Board connectors mounted (P1, P2, P3)
- 3 x Breakout Board connectors mounted (PX1, PX2, PX3)
- Reset and flash buttons

Required: Micro-B to Type-A USB cable, part number [GC 2510-MB02](#) by GE, included in the package with SiRad_Easy_r4_Base_Board+.

Required: SiRad Easy® r4 RFE board, e.g. [SiRad Easy® r4 RFE Board TRA_120_002](#).

1.2 Software

- Graphical user interface (GUI) for setup and data display
- Embedded signal processing, hardware accelerated by ARM Cortex-M7
- Continuous Wave (CW) or Frequency-Modulated Continuous Wave (FMCW) mode
- Individual fixed frequencies (CW) or saw tooth ramping (FMCW)
- Single ramps or ramp groups of 2 up to 128 ramps
- Sample frequency from 0.059 MS/s up to 2.571 MS/s
- Number of acquired ADC samples from 32 to 2048
- Number of FFT points from 32 to 2048 points
- Different standard CFAR detectors and target list for up to 16 targets
- Optional DC cancellation, modified Blackman-Harris windowing, fixed FIR filter, variable down sampling, FFT averaging over up to 3 target results

1.3 System Compatibility

PC:

- Microsoft Windows 10
- 1 free USB port, 2 free USB ports when debugging
- Active USB Hub between PC and SiRad Easy® r4 is recommended (≥ 1000 mA)

Alternative devices:

- Supports 230k / 1Mbaud UART speed
- Enables implementation of SiRad Easy® r4 custom protocol in any programming language
- Power supply 5 V, ≥ 1000 mA recommended

2 Specifications

Parameter	Value
Size	40 mm x 40 mm x 11 mm (with debug connector mounted)
Weight	8.5 g (with debug connector mounted)
Power Supply	Provided by either <ul style="list-style-type: none"> • USB port (active USB Hub with ≥ 1000 mA max. current supply is recommended between PC and SiRad Easy® r4) • 5 V / GND on pin header port (UART), ≥ 1000 mA max. current recommended • SiRad Easy® r4 Breakout Board
Interfaces	1 x Micro-B to Type-A USB to virtual COM port 3 x RFE Board connectors mounted (P1, P2, P3) <ul style="list-style-type: none"> • 2 x signal I/O port (10 pins), BTB connector (0.5 mm pitch) • 1 x signal I/O port (20 pins), BTB connector (0.5 mm pitch) 3 x Breakout Board connectors mounted (PX1, PX2, PX3) <ul style="list-style-type: none"> • 1 x signal I/O port (10 pins), BTB connector (0.5 mm pitch) • 2 x signal I/O port (20 pins), BTB connector (0.5 mm pitch) 1 x Power, UART + trigger I/O port (6 pins, 1.27 mm pitch), pin header bar mountable <ul style="list-style-type: none"> • 5V, GD, TX, RX, TI (Trigger In), TO (Trigger Out) • 230400 baud / 1 Mbaud communication speed • 8 bit, 1 start bit, 1 stop bit, no parity, no flow control 1 x PLL debug port (6 pins, 1.27 mm pitch), pin header bar mountable

3 Mechanical Drawing

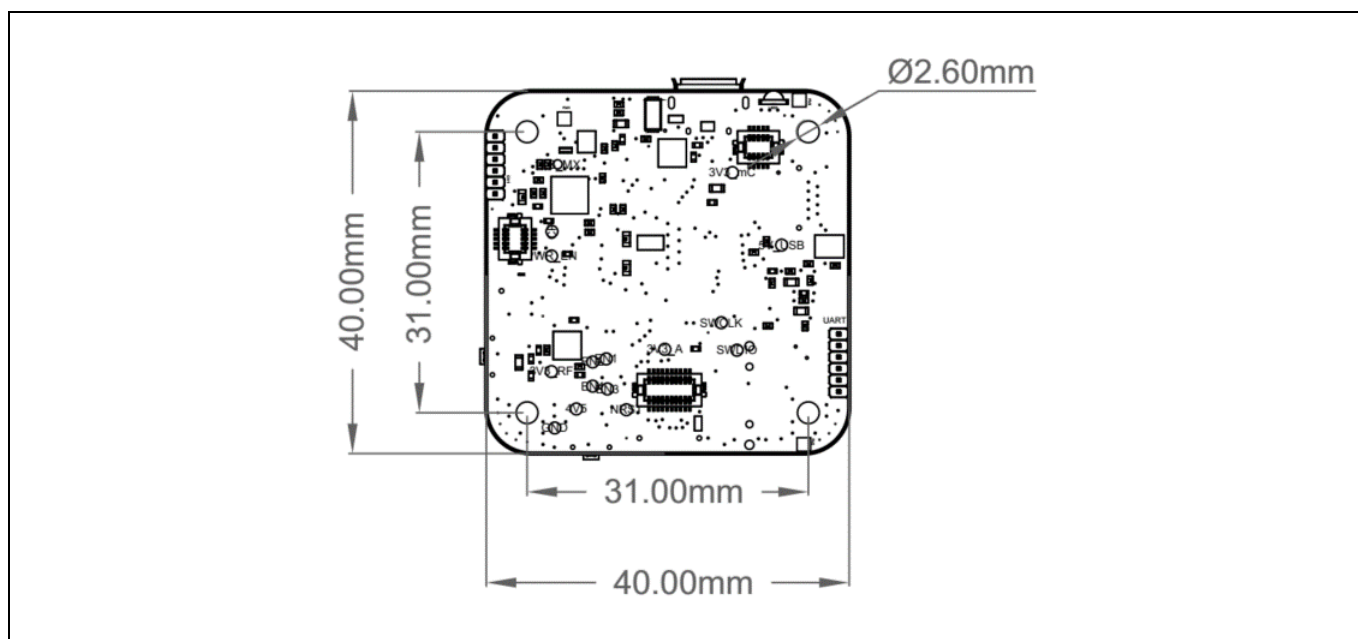


Figure 1 Mechanical Drawing

4 Pinout Description

Below figures show the pinout descriptions of the RFE & Breakout Board connectors, connected test points and header bar pins.

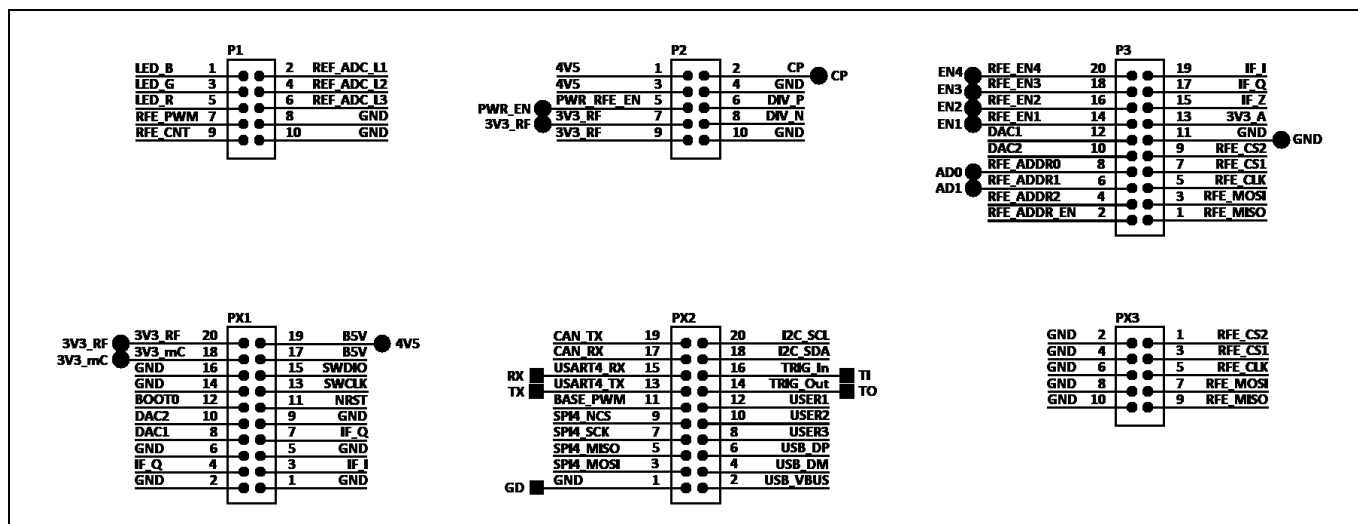


Figure 2 Pinout Description - Version 1.0

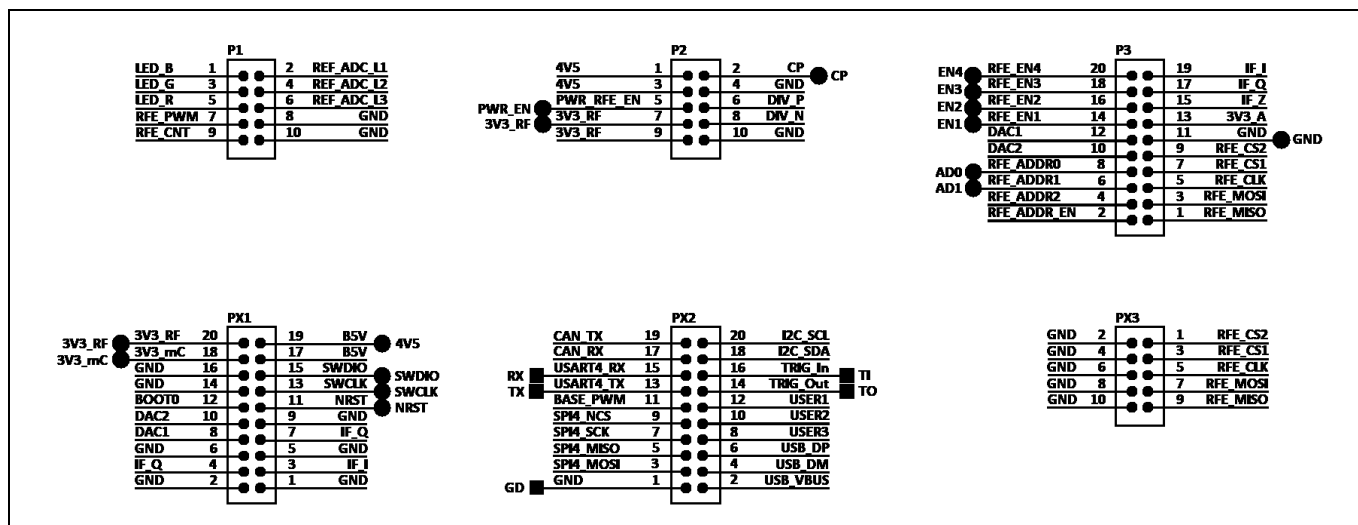


Figure 2 Pinout Description - Version 1.1

5 Modular System

The SiRad Easy® r4 Base Board is part of the [SiRad Easy® r4](#) modular evaluation kit, consisting of Base Board, exchangeable RFE boards covering select radar transceivers of Silicon Radar’s portfolio, Breakout Board and other accessories. A detailed description and compatibility information of related parts can be found under [SiRad Easy® r4 Boards & Accessories](#).